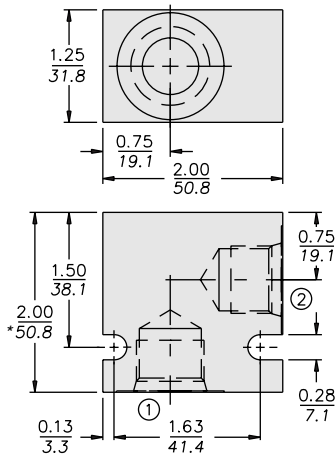


HOUSINGS AND ACCESSORY PRODUCTS

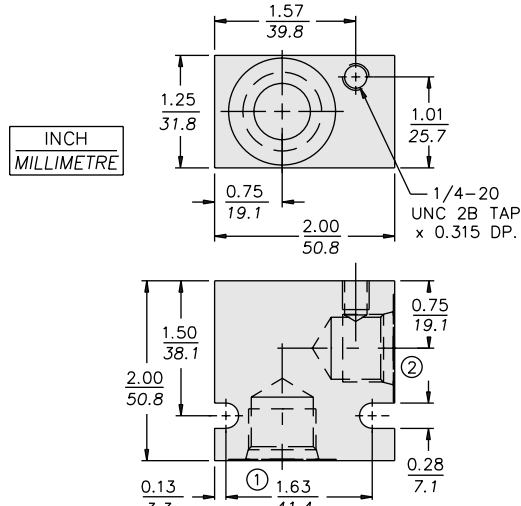
Series 10 Valve Housings

2-WAY



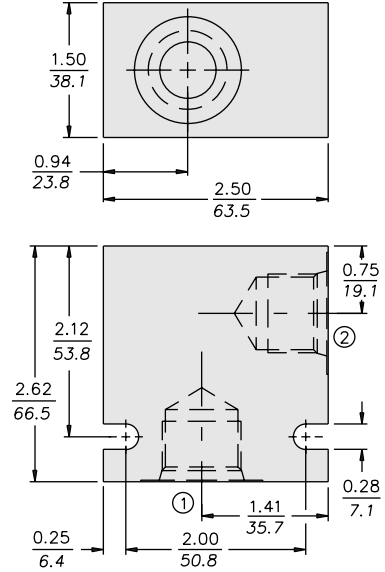
SAE 8 Ported Housing Illustrated

2-WAY MR



7026180 – MR
For Lock-Down Bracket Use

2-WAY OVERSIZED PORTS



7029240 & 7024290

SERIES 10 2-WAY HOUSINGS

Code	Part No.	Material	Port 1	Port 2	Mfg. Loc.
6T	7024260	Alum.	SAE 6	SAE 6	U.S.
8T	7024280	Alum.	SAE 8	SAE 8	U.S.
8TL	7026180	Alum.	SAE 8	SAE 8	U.S.*
2B	7028220	Alum.	1/4" BSP	1/4" BSP	U.K.
3B	7028230	Alum.	3/8" BSP	3/8" BSP	U.K.
4B	7028240	Alum.	1/2" BSP	1/2" BSP	U.K.
6TD	7151400	Ductile	SAE 6	SAE 6	U.S.
8TD	7151410	Ductile	SAE 8	SAE 8	U.S.
3BD	7151440	Ductile	3/8" BSP	3/8" BSP	U.K.
6TS	7026260	Steel	SAE 6	SAE 6	U.S.
8TS	7026280	Steel	SAE 8	SAE 8	U.S.
3BS	7028530	Steel	3/8" BSP	3/8" BSP	U.K.

*Drilled and tapped for lock-down bracket

SERIES 10 2-WAY MR HOUSINGS

Code	Part No.	Material	Port 1	Port 2	Port 3	Mfg. Loc.
8T	7026180	Alum.	SAE 8	SAE 8	SAE 8	U.S.

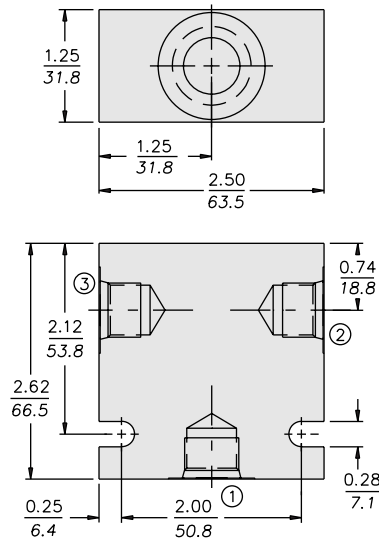
SERIES 10 2-WAY WITH OVERSIZED PORTS

Code	Part No.	Material	Port 1	Port 2	Mfg. Loc.
10T	7029240	Alum.	SAE 10	SAE 10	U.S.
12T	7024290	Alum.	SAE 12	SAE 12	U.S.

Note: Illustrations and dimensions shown on these pages are for Aluminum housings only. Ductile Iron and Steel housings are dimensionally different. Consult factory.

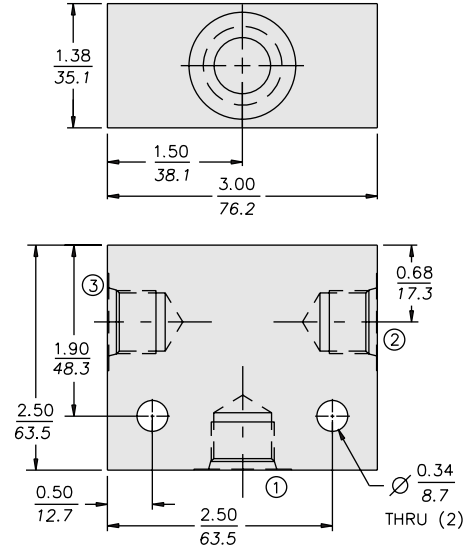
Series 10 Valve Housings

2-WAY THRU-PORTED



7025680 Illustrated

2-WAY THRU-PORTED OVERSIZED PORTS



7027080 Illustrated

INCH
MILLIMETRE

SERIES 10 2-WAY THRU-PORTED HOUSINGS						
Code	Part No.	Material	Port 1	Port 2	Port 3	Mfg. Loc.
6T	7025660	Alum.	SAE 6	SAE 6	SAE 6	U.S.
8T	7025680	Alum.	SAE 8	SAE 8	SAE 8	U.S.

SERIES 10 2-WAY THRU-PORTED WITH OVERSIZED PORTS						
Code	Part No.	Material	Port 1	Port 2	Port 3	Mfg. Loc.
10T	7027080	Alum.	SAE 10	SAE 10	SAE 10	U.S.

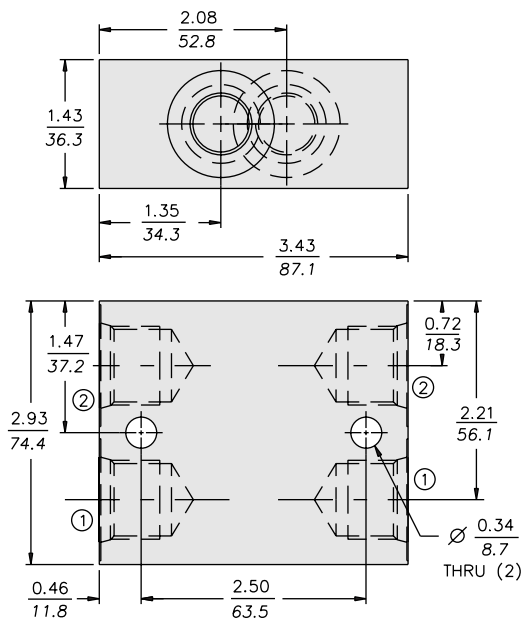
Note: Illustrations and dimensions shown on these pages are for Aluminum housings only. Ductile Iron and Steel housings are dimensionally different. Consult factory.

HYDRAFORCE STANDARD VALVE HOUSINGS			
MATERIAL	OPERATING PRESSURE	PORTS	MFG. LOCATION
Aluminum, 6061 T6511, Clear Anodized	240 bar (3500 psi)	SAE	U.S.
Aluminum, 6082 TF, Gold Tint	240 bar (3500 psi)	BSP	U.K.
Ductile Iron,	350 bar (5000 psi)	SAE	U.S.
Ductile Iron,	350 bar (5000 psi)	BSP	U.K.
Steel, Low carbon	350 bar (5000 psi)	SAE	U.S.
Steel, 220 M 07, Zinc Plated	350 bar (5000 psi)	BSP	U.K.

HOUSINGS AND ACCESSORY PRODUCTS

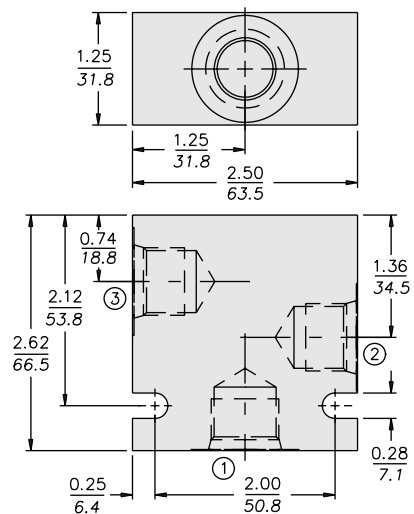
Series 10 Valve Housings

2-WAY CROSS-OVER



7070170 CRV Housing

3-WAY



SAE 8 Ported Housing Illustrated

SERIES 10 2-WAY CROSS-OVER HOUSINGS					
Code	Part No.	Material	Port 1	Port 2	Mfg. Loc.
10T	7070170	Alum.	SAE 10 (2)	SAE 10 (2)	U.S.

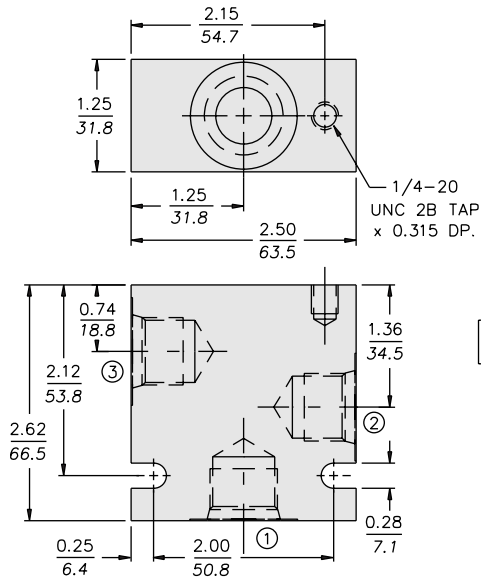
SERIES 10 3-WAY HOUSINGS						
Code	Part No.	Material	Port 1	Port 2	Port 3	Mfg. Loc.
6T	7024360	Alum.	SAE 6	SAE 6	SAE 6	U.S.
8T	7024380	Alum.	SAE 8	SAE 8	SAE 8	U.S.
8TL	7020980	Alum.	SAE 8	SAE 8	SAE 8	U.S.*
2B	7028320	Alum.	1/4" BSP	1/4" BSP	1/4" BSP	U.K.
3B	7028330	Alum.	3/8" BSP	3/8" BSP	3/8" BSP	U.K.
6TD	7151500	Ductile	SAE 6	SAE 6	SAE 6	U.S.
6TS	7026360	Steel	SAE 6	SAE 6	SAE 6	U.S.

*Drilled and tapped for lock-down bracket

Note: Illustrations and dimensions shown on these pages are for Aluminum housings only. Ductile Iron and Steel housings are dimensionally different. Consult factory.

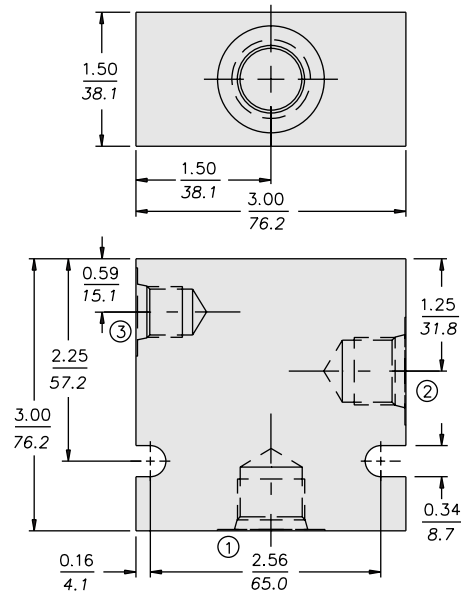
Series 10 Valve Housings

3-WAY MR



7020980 – MR
For Lock-Down Bracket Use

3-WAY SHORT



SAE 8 Ported Housing Illustrated

INCH
MILLIMETRE

SERIES 10 3-WAY MR HOUSINGS						
Code	Part No.	Material	Port 1	Port 2	Port 3	Mfg. Loc.
8T	7020980	Alum.	SAE 8	SAE 8	SAE 8	U.S.

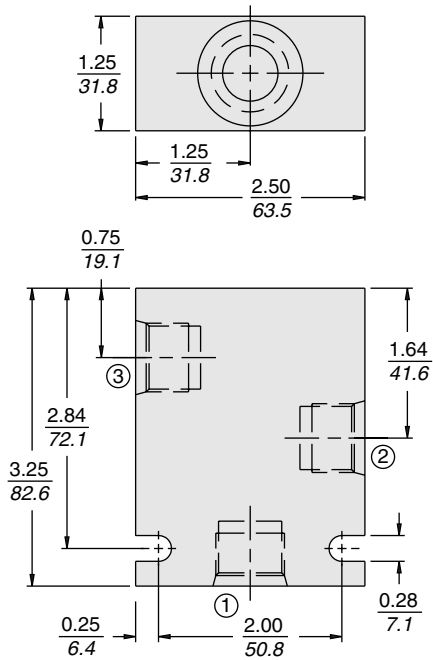
SERIES 10 3-WAY SHORT HOUSINGS						
Code	Part No.	Material	Port 1	Port 2	Port 3	Mfg. Loc.
8T	7026520	Alum.	SAE 8	SAE 8	SAE 6	U.S.
10T	7026530	Alum.	SAE 10	SAE 10	SAE 6	U.S.

Note: Illustrations and dimensions shown on these pages are for Aluminum housings only. Ductile Iron and Steel housings are dimensionally different. Consult factory.

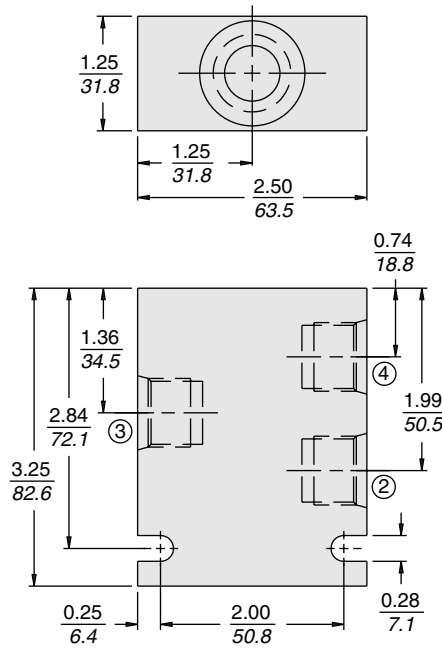
HOUSINGS AND ACCESSORY PRODUCTS

Series 10 Valve Housings

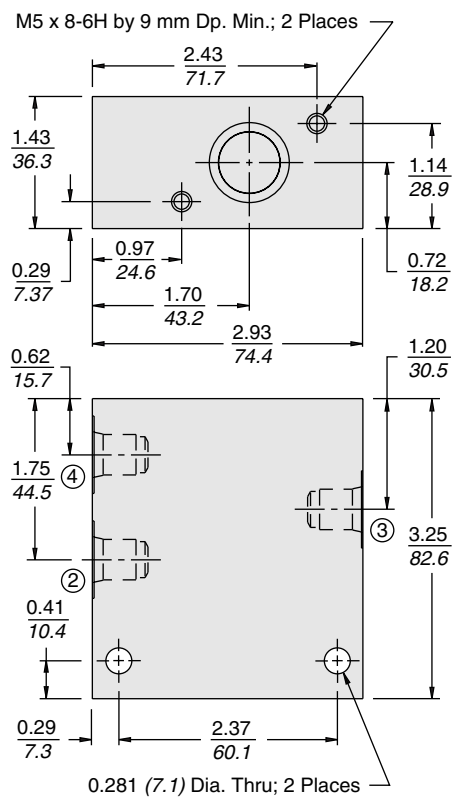
3-WAY TS98-39



3-WAY 10-L3



3-WAY TS98-34



INCH
MILLIMETRE

SERIES 10 3-WAY TS98-39 HOUSINGS

Code	Part No.	Material	Port 1	Port 2	Port 3	Mfg. Loc.
6T	7021680	Alum.	SAE 6	SAE 6	SAE 6	U.S.
8T	7021690	Alum.	SAE 8	SAE 8	SAE 8	U.S.

SERIES 10 3-WAY 10-L3 HOUSINGS

Code	Part No.	Material	Port 1	Port 2	Port 3	Mfg. Loc.
6T	7025460	Alum.	SAE 6	SAE 6	SAE 6	U.S.
8T	7025480	Alum.	SAE 8	SAE 8	SAE 8	U.S.

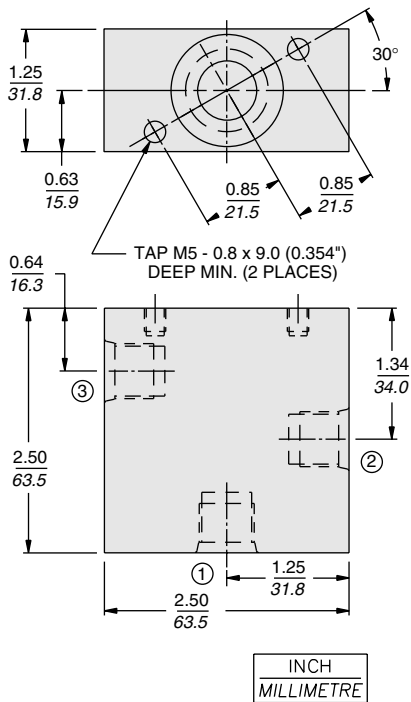
SERIES 10 3-WAY TS98-T34 HOUSINGS

Code	Part No.	Material	Port 1	Port 2	Port 3	Mfg. Loc.
6T	7150120	Alum.	SAE 6	SAE 6	SAE 6	U.S.

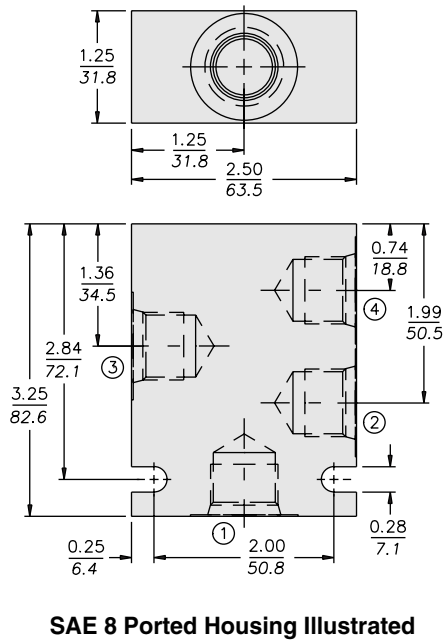
Note: Illustrations and dimensions shown on these pages are for Aluminum housings only. Ductile Iron and Steel housings are dimensionally different. Consult factory.

Series 10 Valve Housings

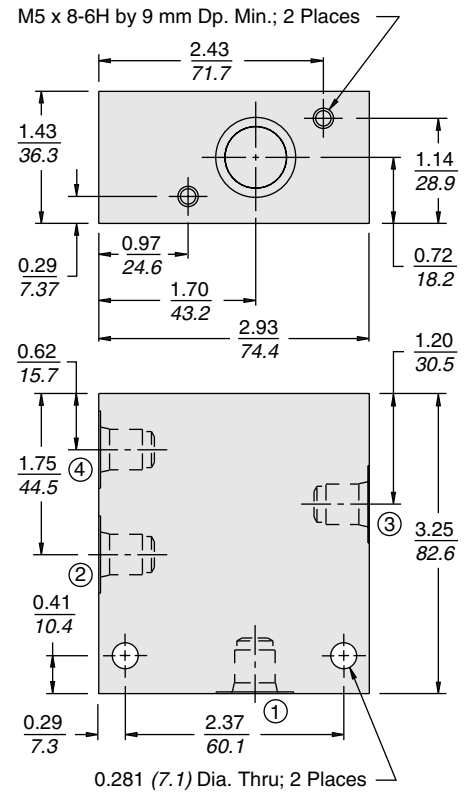
3-WAY 98-T3



4-WAY



4-WAY SV98-T40



SERIES 10 3-WAY 98-T3 HOUSINGS						
Code	Part No.	Material	Port 1	Port 2	Port 3	Mfg. Loc.
6T	4502500	Alum.	SAE 6	SAE 6	SAE 6	U.S.

SERIES 10 4-WAY HOUSINGS							
Code	Part No.	Material	Port 1	Port 2	Port 3	Port 4	Mfg. Loc.
6T	7024460	Alum.	SAE 6	SAE 6	SAE 6	SAE 6	U.S.
8T	7024480	Alum.	SAE 8	SAE 8	SAE 8	SAE 8	U.S.
8TL	7023380	Alum.	SAE 8	SAE 8	SAE 8	SAE 8	U.S.*
2B	7028420	Alum.	1/4" BSP	1/4" BSP	1/4" BSP	1/4" BSP	U.K.
3B	7028430	Alum.	3/8" BSP	3/8" BSP	3/8" BSP	3/8" BSP	U.K.
6TD	7151700	Ductile	SAE 6	SAE 6	SAE 6	SAE 6	U.S.
6TS	7026460	Steel	SAE 6	SAE 6	SAE 6	SAE 6	U.S.

*Drilled and tapped for lock-down bracket

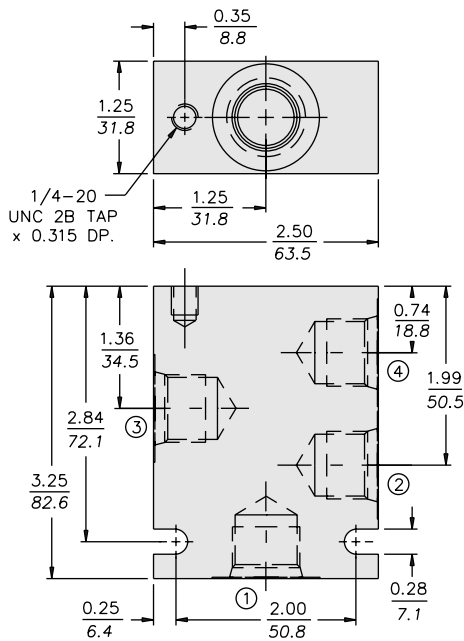
SERIES 10 4-WAY SV98-T40 HOUSINGS							
Code	Part No.	Material	Port 1	Port 2	Port 3	Port 4	Mfg. Loc.
6T	7150020	Alum.	SAE 6	SAE 6	SAE 6	SAE 6	U.S.

Note: Illustrations and dimensions shown on these pages are for Aluminum housings only. Ductile Iron and Steel housings are dimensionally different. Consult factory.

HOUSINGS AND ACCESSORY PRODUCTS

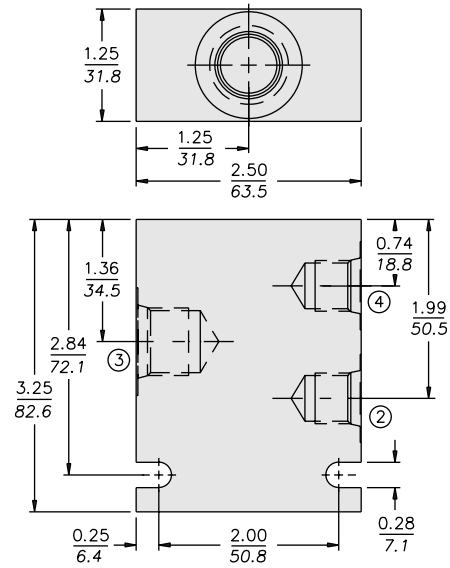
Series 10 Valve Housings

4-WAY MR



INCH
MILLIMETRE

4-WAY 3-PORTED



SAE 8 Ported Housing Illustrated

7023380 – MR
For Lock-Down Bracket Use

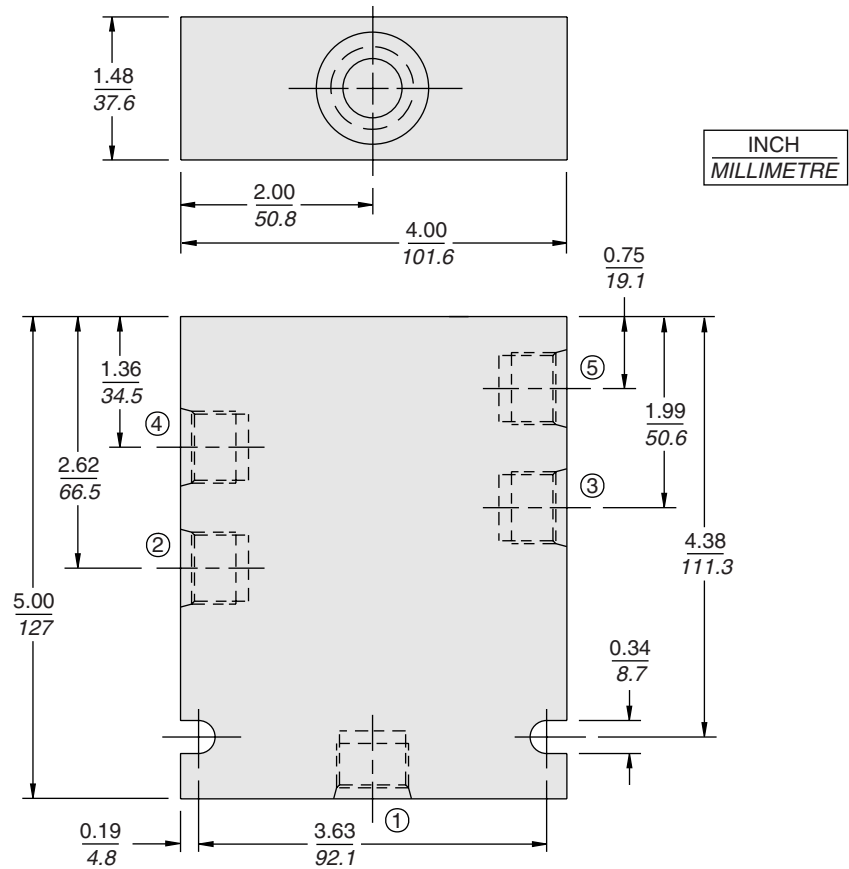
SERIES 10 4-WAY MR HOUSINGS							
Code	Part No.	Material	Port 1	Port 2	Port 3	Port 4	Mfg. Loc.
8T	7023380	Alum.	SAE 8	SAE 8	SAE 8	SAE 8	U.S.

SERIES 10 4-WAY 3-PORTED SPECIAL HOUSINGS							
Code	Part No.	Material	Port 1	Port 2	Port 3	Port 4	Mfg. Loc.
6T	7027000	Alum.	—	SAE 6	SAE 6	SAE 6	U.S.
8D	7024980	Alum.	—	SAE 6	SAE 8	SAE 6	U.S.
5B	7028540	Alum.	—	3/8" BSP	1/2" BSP	3/8" BSP	U.K.

Note: Illustrations and dimensions shown on these pages are for Aluminum housings only.
Ductile Iron and Steel housings are dimensionally different. Consult factory.

Series 10 Valve Housings

5-WAY



SERIES 10 5-WAY HOUSINGS								
Code	Part No.	Material	Port 1	Port 2	Port 3	Port 4	Port 5	Mfg. Loc.
6T	7022820	Alum.	SAE 6	SAE 6	SAE 6	SAE 6	SAE 6	U.S.
6T	7022830	Alum.	SAE 8	SAE8	SAE 8	SAE 8	SAE 8	U.S.

Note: Illustrations and dimensions shown on these pages are for Aluminum housings only.
Ductile Iron and Steel housings are dimensionally different. Consult factory.